

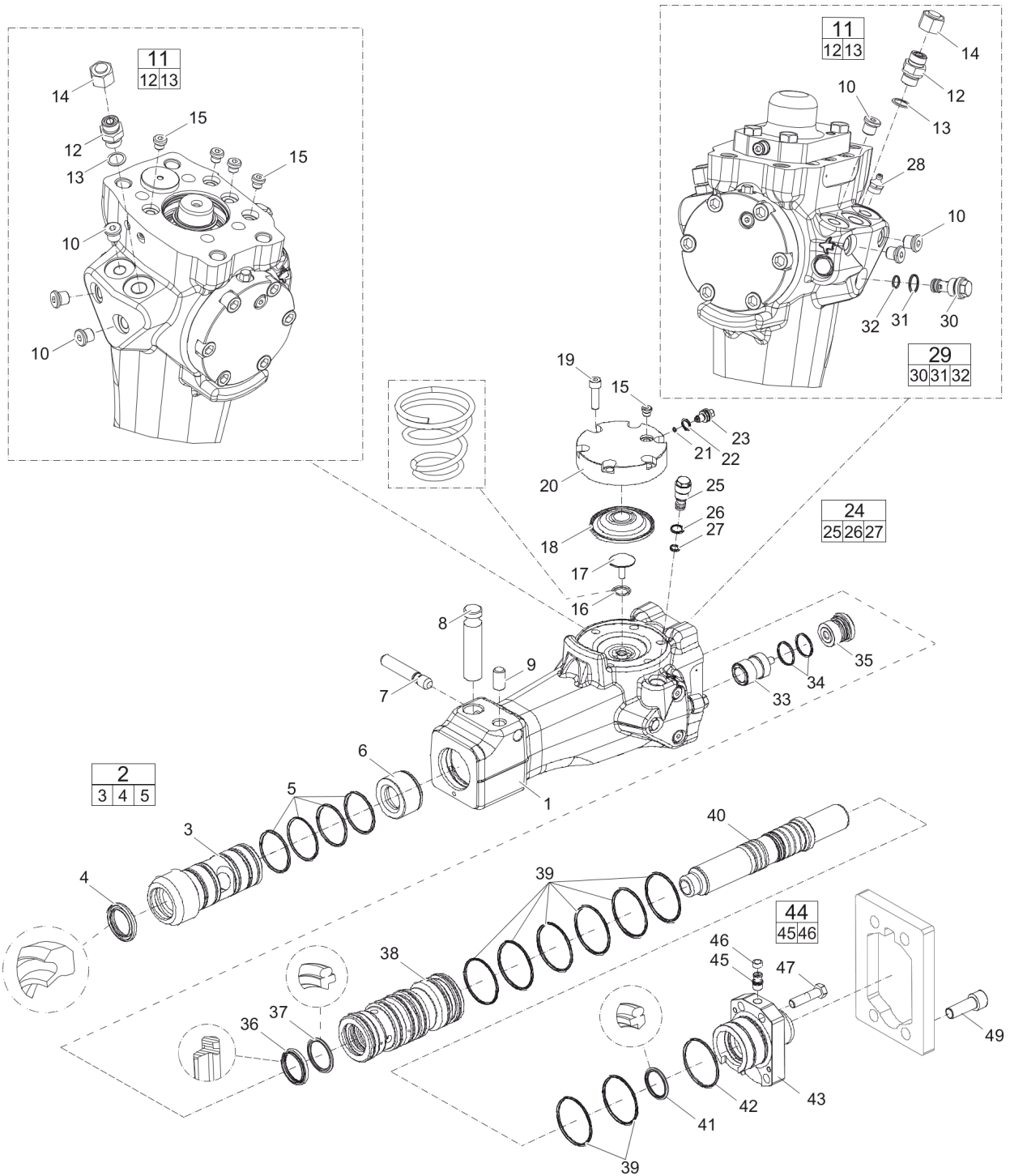
SB 52

Spare parts list Hydraulic breaker

SB 52 from s/n BES043707



Spare parts list Spare parts list



Refer to Parts Online for the most up to date information. The printed information might be outdated.
 Mon May 25 01:16:38 MDT 2015

Item	Part No.	Name	Qty	L
1	-	Hammer body	1	
2	3315333780	Bushing, complete	1	
3	--	Bushing, Ø 60 mm, Ø 2.36 in.	1	
4	3315334200	Scraper ring	1	
5	0663210800	O-ring, 54.5 x 3 mm, 2.15 x 0.12 in.	4	
6	3315334500	Stop ring	1	
7	3315333900	Lock pin	1	
8	3315346500	Tool retainer	1	
9	3315304600	Lock buffer	1	
10	0686644207	Plug, VSTI R 1/4-ED	6	
11	0580001656	Nipple, complete	2	
12	--	Nipple	1	
13	0664000002	Seal ring	1	
14	3361353485	Cap	2	
15	0686371805	Plug VSTI R 1/8-ED	5	
16	3315346600	Coil spring	1	
17	3315339100	Diaphragm support	1	
18	3315346200	Diaphragm	1	
19	0211196548	Hexagon socket screw	6	
20	3315334600	Accumulator cover	1	
21	0661100048	Seal washer	1	
22	0663212000	O-ring 13.3 x 2.4 mm (70 shore), 0.52 x 0.09 in.	1	
23	3315346400	Charge valve	1	
24	3315335000	Pressure relief valve, complete	1	
25	--	Pressure relief valve	1	
26	0663903201	O-ring, 15.6 x 1.78 mm , 0.61 x 0.07 in. (90 shore)	1	
27	0663905401	O-ring, 10.82 x 1.78 mm , 0.43 x 0.07 in. (90 shore)	1	
28	0544215300	Grease nipple, ISO 7-R 1/4	1	
29	3315369537	Restrictor, complete	1	
30	--	Restrictor	1	
31	0663903201	O-ring, 15.6 x 1.78 mm , 0.61 x 0.07 in. (90 shore)	1	
32	0663905401	O-ring, 10.82 x 1.78 mm , 0.43 x 0.07 in. (90 shore)	1	
33	3315298700	Control valve	1	
34	0663211489	O-ring, 28.24 x 2.62 mm, 1.11 x 0.10 in.	2	
35	3315365000	Valve cover	1	
36	0665909963	Wiper	1	
37	0665070142	Piston rod seal	1	

Refer to Parts Online for the most up to date information. The printed information might be outdated.

Mon May 25 01:16:38 MDT 2015

Working tools Working tools SB 52

